

The following is a procedure to upgrade the V72 Host Modules in your M9 units. These changes may be made while the unit is in place, but will require a laptop computer with a communications package (PROCOMM, Hyper Terminal, etc) installed, plus a crossed RJ-45 cable and a BayTech PC4 adapter. The cable and adapter came with the units.

Prior to changing the V72 EEPROM, it is necessary to verify and record the IP Address, Subnet Mask, and Gateway. These values must be re-entered in configuration after the new EEPROM's are installed and prior to returning the unit to service. The following procedure addresses the upgrade.

Ø Connect between the service port of the M9 and a terminal (could be a laptop). Access the port by making a direct connection using hyperterminal or any other similar communications software.

The following heading should appear:

```
Bay Technical Associates
Service Port
Firmware Revision 0.47
```

If it does not, type \$BTRESET followed by <cr>. It must be typed using capital letters. Once the menu is seen, type \$BT0 (zero) followed by <cr>. Then type \$BT1 followed by <cr>. The following line of text should appear:

```
Requested Connection Made
```

If it does not, Type \$BT0 followed by <cr>. Then type \$BT0 followed by <cr> again. Finally type \$BT1 followed by <cr>. The text should appear now. (Sometimes the machine needs an electronic kick to make the connection.) At this point type \$CONFIG followed by <cr>. Notice, there is no BT after the \$ sign. It is \$CONFIG to bring up the following menu:

```
M-Series V72-TP DAC Host
Unit: 1 Module: 2
F 4.07 Copyright (c) 1995-1998
Bay Technical Associates
```

```
IP Addr:          *56.107.128.102      Subnet Mask:    *255.255.255.0
Gateway Addr:     *56.107.128.1        Select Code:    $BT
Ethernet Addr:    00.C0.48.00.04.10    ID MSG/Login:  enabled/enabled
Unit Mem (MB):    16                   IMR/CRT:       disabled/disabled
TCP Sessions:     0                   Menu/ATTN:     disabled;/
Brk Len (ms):     350                 Hst Cfg/RTel:  disabled/disabled
```

```
IP Address..... 1
Subnet Mask..... 2
Gateway..... 3
Select Code..... 4
Password..... 5
User Interface.... 6
Diagnostics..... 7
Exit..... X
```

>

* Each menu may appear somewhat different due to the different addresses. These are the addresses which must be reinstalled prior to return to service. Record these values.

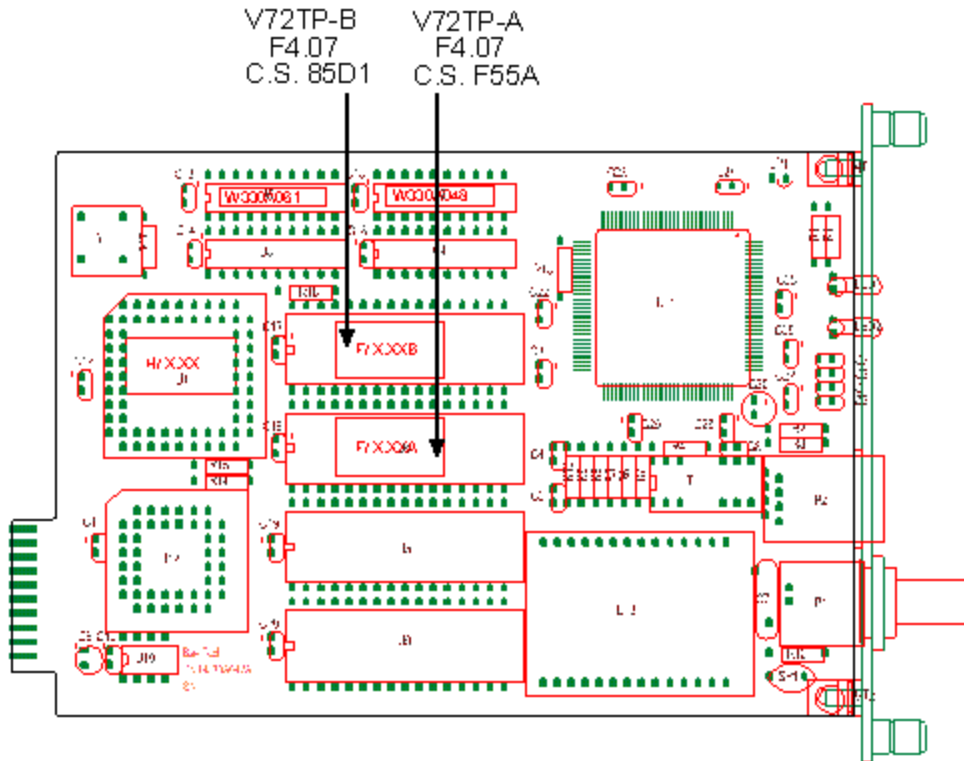
κ Turn the unit off, remove the V72 Host Module, and replace the EEPROMS with the versions you received. The new versions are labeled:

V72TP-A	V72TP-B
F 4.07	F 4.07
C.S. F55A	C.S. 85D1

The new version has a Check Sum (C.S.) value on it.

THIS IS THE CORRECT VERSION OF THIS FIRMWARE!

The drawing below shows the location of the “A” and “B” EEPROMS. The notch should be on the end nearest the card contact fingers and should be installed to the far right of the socket.



λ Once the change is made, dispose of the old EEPROM and reinstall the V72 Host Module in the M9. Repeat the procedures listed on the first page, to bring up the configuration menu. The addresses will all be 0's.

Type 1 and then enter the IP Address in dotted decimal format (255.255.255.0).

IMPORTANT: Do not press ENTER after typing 1. Type 1 then type the numbers for the address.

After entering the address, press Enter. The configuration menu is displayed. Type 2 and enter the Subnet Mask in dotted decimal format, then press ENTER. Type 3 and enter the Gateway, then press ENTER. These address should be displayed now in the heading for the configuration menu.

Check the following menu items to ensure they are configured as follows:

```
ID MSG/Login: enabled/enabled
IMR/CRT:      disabled/disabled
Menu/ATTN:   disabled;/
Hst Cfg/RTel: disabled/disabled
```

If they are, then the upgrade is finished and you may skip to μ . If not then type 6. A series of statements will appear. Answer each entry as shown below and press <cr> until you reach the main configuration menu again.

```
User interface options, press <CR> to skip option.
Enable/Disable Module ID Message? (E/D): E
```

```
Enable/Disable Login? (E/D): E
```

```
Enable/Disable Immediate Msg Quick Release? (E/D): D
```

```
Enable/Disable strip LF/NUL after CR? (E/D): D
```

```
Enable menu interface? (E/D): D
```

```
Enable/Disable configuration from other hosts? (E/D): D
```

```
Enable/Disable reverse telnet feature (E/D): D
```

```
Set Break Length? (Y/N): N
```

M-Series V72-TP DAC Host

```
Unit: 1    Module: 2
F 4.07 Copyright (c) 1995-1998
Bay Technical Associates
```

```
IP Addr:      56.107.128.102    Subnet Mask:  255.255.255.0
Gateway Addr: 56.107.128.1      Select Code:   $BT
Ethernet Addr: 00.C0.48.00.04.10 ID MSG/Login: enabled/enabled
Unit Mem (MB): 0                IMR/CRT:      disabled/disabled
TCP Sessions: 0                 Menu/ATTN:    disabled;/
Brk Len (ms): 350               Hst Cfg/RTel: disabled/disabled
```

```
IP Address..... 1
Subnet Mask..... 2
Gateway..... 3
Select Code..... 4
Password..... 5
User Interface... 6
Diagnostics..... 7
Exit..... X
```

>

μ At the > prompt, type X. The following line will appear:

```
Unit MUST BE RESET for configuration
changes to take effect.
```

Type \$BTRESET. This will reset the unit and it will be ready to work correctly. After the reset is finished the following menu will appear and you may disconnect from the serial port.

```
Bay Technical Associates  
Service Port  
Firmware Revision 0.47
```

The unit is ready to return to service.