

QUICK START: RPS 5 and 6 Series

by Bay Technical Associates

The RPS-Series is a remote power sensor unit that allows for power monitoring.

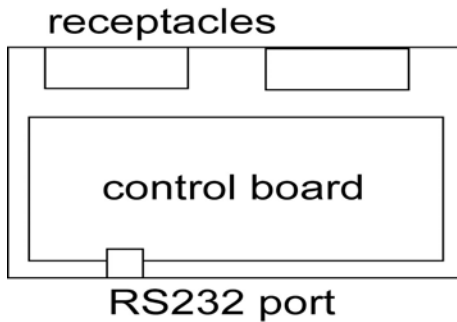
Installation

The RPS 5 and 6 use the same configuration instructions. The figures in this manual are based on the RPS 5; the actual screen displays will vary by model.

Remove the RPS from the package. Check the contents of shipment to make sure that you received:

- RPS unit
- RJ08X007 (RJ45 Rollover Cable)
- 9FRJ45PC (with Cisco Interface) or PC-1 (DB-9 to RJ45 Adapter)

Interior Architecture



Power Controller: The power controller connects to the relay board to control the outlets.

Serial Setup

- Connect the 9FRJ45PC or PC-1 adapter to the user's computer
- Connect the RPC's EIA-232 port to the adapter via the RJ08X007 rolled flat ribbon cable.
- Use terminal emulation software to access the unit.¹

Figure 1

```
RPS-6 Series
(C) 2000 by BayTech
F1.00
```

```
Option(s) Installed:
True RMS Current
Internal Temperature
True RMS Voltage
```

```
Unit ID: BT-RPS5-20
```

Status Screen: Once the serial connection is made using the terminal software, the screen will display *Figure 1*. This displays the inherent state of the outlets, the Average Power, RMS voltage and Current and Maximum Detected Current both in Amps. Also shown is the state of the circuit breaker and the Internal Temperature of the unit.

	Outlet 1		Outlet 2
Outlet Name:	Outlet 1	:	Outlet 2
Average Power:	0 Watts	:	0 Watts
True RMS Voltage:	120.9 Volts	:	1.5 Volts
True RMS Current:	0.1 Amps	:	0.1 Amps
Maximum Detected:	0.1 Amps	:	0.1 Amps
Circuit Breaker:	Good	:	Fault
Internal Temperature:	23.0 C		

Type "Help" for a list of commands

```
RPS-6>█
```

¹ We recommend Windows HyperTerminal with a port configuration set to 9600, 8, none, 1. This manual uses Tera Term found at http://hp.vector.co.jp/authors/VA_002416/tterm23.zip.

Power Controller Configuration: The management of users and the RPS unit.

RPS Configuration: Type *config* followed by a <CR>.² This command takes you to *Figure 2*. This screen will enable you to edit any of the information listed.

Figure 2

```
RPS-6>config
Unit ID: BT-RPS5-20

1)>...Manage Users
2)>...Change Outlet Name
3)>...Enable/Disable Status Menu
4)>...Change Unit ID
5)>...Change Alarm Threshold
X)>...Exit
```

Enter Request:

Manage Users: The Manage Users menu allows the user to add, delete, or edit usernames.

Change Outlet Name: Allows the administrative user to change the name of the outlets, up to 31 alphanumeric characters.

Enable/Disable Status Menu: Enables/Disables the menu that scrolls up on the status screen. Example, The screen with the Amperage/Voltage readings is shown when you first log on to the unit.

Change Unit ID: Allows the user to change the name of the unit. Defaulted as something similar to BT RPS5-20. Allows user to personalize or customize name or location, up to 31 alphanumeric characters.

Change Alarm Threshold: The Alarm Threshold is the value set that determines the amperage alarm to sound when it reaches or exceeds the amperage value indicated.

Password: Type *password* followed by a <CR>. Shown in *Figure 4*. Always remember your password. If password is forgotten, contact a BayTech Support Engineer for assistance.

Figure 4

```
RPS-6>password
Enter new Password: *****
Re-Enter new Password: *****
Type "Help" for a list of commands

RPS-6>
```

Help Menu: At the Status Menu shown in *Figure 5*, type *Help* followed by a <CR> to view the line commands for the RPS's.

² <CR> = HRT or ENTER. This can also take you back to the previous screen.

Figure 5

Type "Help" for a list of commands

RPS-6>help

```
Status <cr>  --RPS-6 Status
Config <cr>  --Enter configuration mode
Current <cr> --Display True RMS Current
Clear <cr>   --Reset the maximum detected current
Temp <cr>    --Read current temperature
Voltage <cr> --Display True RMS Voltage
Logout <cr>  --Logoff
Logoff <cr>  --Logoff
Exit <cr>    --Logoff
Password <cr> --Changes the current user password
Whoami <cr>  --Displays the current user name
Unitid <cr>  --Displays the unit ID
Help <cr>   --This Command
```

Type "Help" for a list of commands

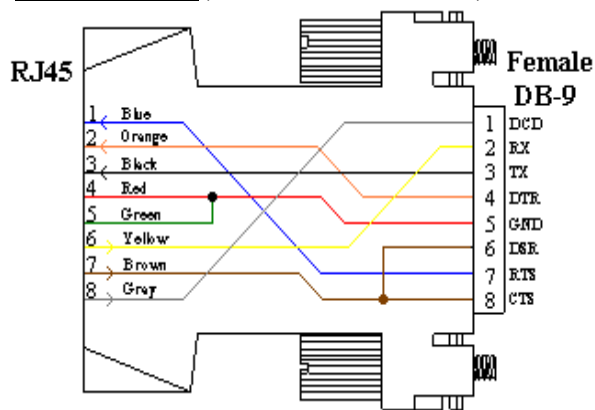
RPS-6>■

Cables and Adapters

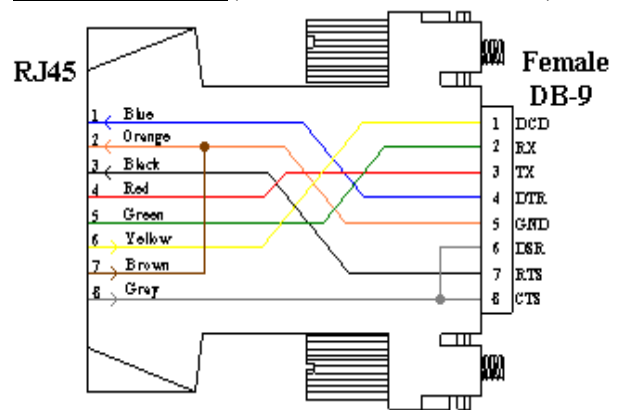
Listed are the pin specifications for the BayTech cable and adapters and the terminal COM ports:

Signal	RS-232 Port (DS)	RS-232 Port (RPC)	COM Port DE-9 Pin	COM Port DB-25 Pin	
DTR	1	1	4	20	DSR
GND	2	2		1	GND
RTS	3	3	7	5	CTS
TxD	4	4	3	2	RxD
RxD	5	5	2	3	TxD
DSR	6	N/C	6	6	DTR
GND	7	7	5	7	GND
CTS	8		8	4	RTS
DTR			4		DCD
DCD		8	1	8	DTR
RI	9			22	

9FRJ45PC (With Cisco Interface)



9FRJ45PC-1 (Without Cisco Interface)



RJ08X007

